



German Ports


COREOR 95B - Container Release Message

Message implementation guideline
Version 1.0.1/E



Mattentwiete 2
20457 Hamburg
www.dakosy.de

Phone: + 49 40 37003 - 0
info@dakosy.de

dbh and DAKOSY	German Ports – COREOR 95B	
----------------	---------------------------	--

Change history

Version	Concerned section	Reason	Name	Date
1.0.1/E	All	First Version	Dietrich	28.05.2024
1.0.1/E	SG7	Added bill of lading reference in RFF+BM	Schwanke	04.02.2025

Change Requests

The following offices are responsible for the change service, the receipt and processing of comments and change requests for this document:

DAKOSY Datenkommunikationssystem AG

- Port Communication Services -

Mattentwiete 2
20457 Hamburg

Tel.: 040 370030, Fax: 040 37003370

AND

dbh Logistics IT AG

Martinistr. 47-49
28195 Bremen
Tel.: 0421 30902-0

Used tools

Number	Used tools
W1	This document was created with the word processing programme MS Word 2021 .
W2	Graphics and XSD-reports have been generated by GEFEG FX 7

Liability

1. Please note that no liability claims can be derived towards DAKOSY AG for the content of this manual, despite careful developing and examination of this document!

Table of contents

1 The message COREOR4

2 Message Structure.....5

3 Branching Diagram.....6

4 Segment description11

1 The message COREOR

The COREOR message is used to convey container release orders, thereby authorising the release or pick-up of containers. In the context of German Ports, the COREOR message transmits information concerning the release of full containers as well as the forwarding agent entrusted with their subsequent handling.

Similar to other EDI systems, German Ports accepts various request messages for creating a release order. These request messages can be sent in two different formats: XML messages (type “Request”) or an EDIFACT message (type “COREOR”). The format of the request message determines the format of the subsequent response: a request sent via XML will trigger an XML response, while a request sent via EDIFACT will trigger an APERAK response.

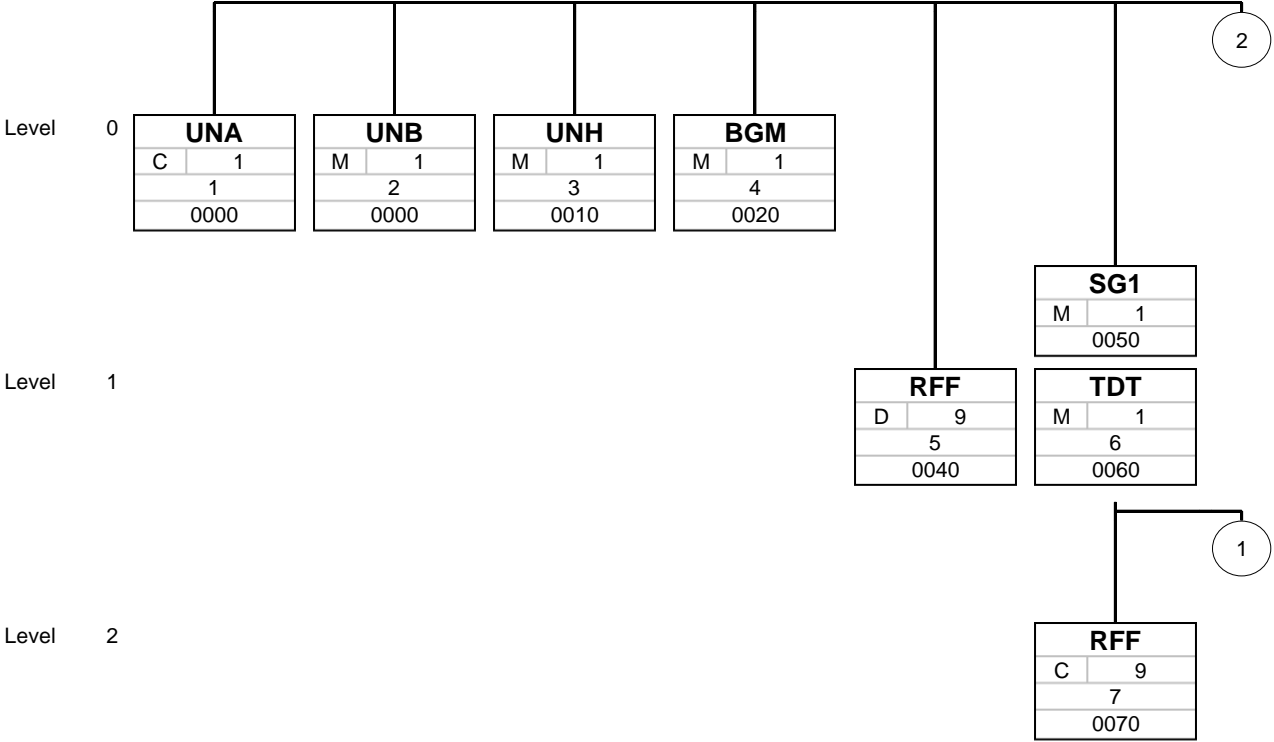
This implementation guide describes the content and structure of the COREOR message sent to German Ports by the carrier needed to create the digital Pick-Up Right.

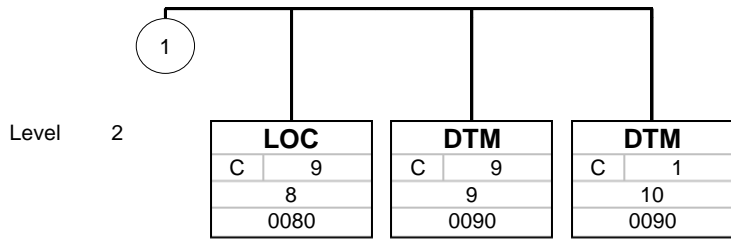
This document is based on the descriptions published by SMDG and terminal operators.

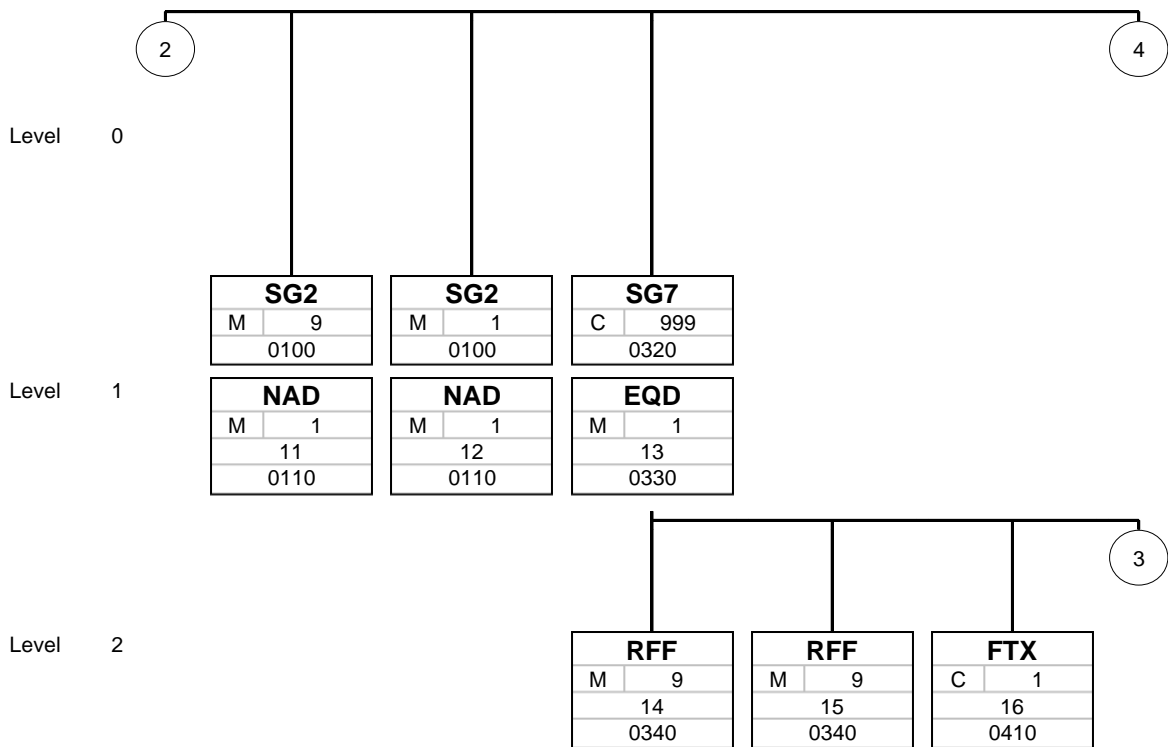
2 Message Structure

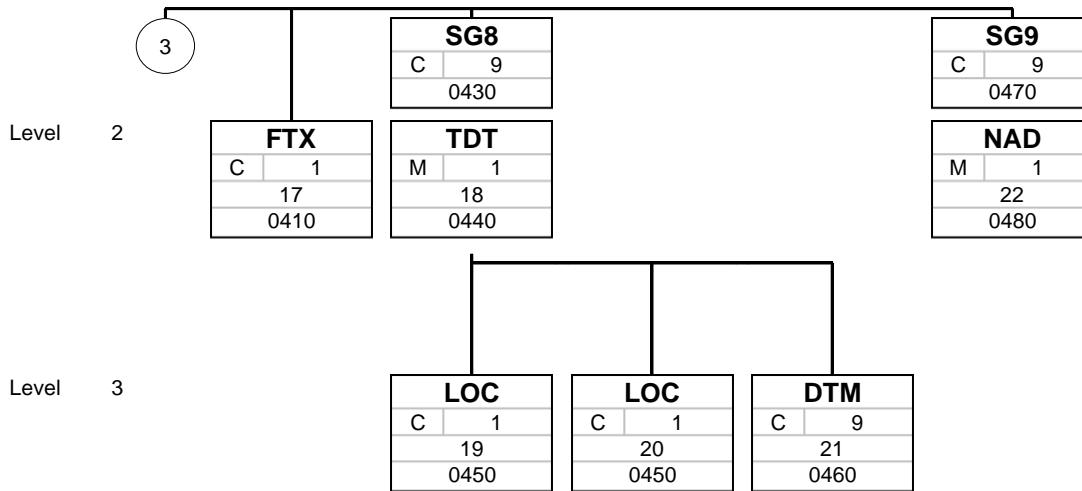
Counter	No	Tag	St	MaxOcc	Level	Content
0000	1	UNA	C	1	0	SERVICE STRING ADVICE
0000	2	UNB	M	1	0	INTERCHANGE HEADER
0010	3	UNH	M	1	0	Message header
0020	4	BGM	M	1	0	Beginning of message
0040	5	RFF	D	9	1	Release order reference
0050		SG1	M	1	1	TDT-RFF-LOC-DTM
0060	6	TDT	M	1	1	Details of transport
0070	7	RFF	C	9	2	Reference
0080	8	LOC	C	9	2	Place/location identification
0090	9	DTM	C	9	2	Date/time/period
0090	10	DTM	C	1	2	Expiry date
0100		SG2	M	9	1	NAD
0110	11	NAD	M	1	1	Name and address
0100		SG2	M	1	1	Released Party
0110	12	NAD	M	1	1	Name and address
0320		SG7	C	999	1	EQD-RFF-FTX-SG8-SG9
0330	13	EQD	M	1	1	Equipment details
0340	14	RFF	M	9	2	Bill of Lading reference
0340	15	RFF	M	9	2	Reference
0410	16	FTX	C	1	2	Free text
0410	17	FTX	C	1	2	Release Order reference
0430		SG8	C	9	2	TDT-LOC-DTM
0440	18	TDT	M	1	2	Details of transport
0450	19	LOC	C	1	3	Place/location identification
0450	20	LOC	C	1	3	Place of Destination
0460	21	DTM	C	9	3	Date/time/period
0470		SG9	C	9	2	Rückgabedepot
0480	22	NAD	M	1	2	Return depot
0520	23	CNT	M	1	0	Control total
0530	24	UNT	M	1	0	Message trailer
0000	25	UNZ	M	1	0	INTERCHANGE TRAILER

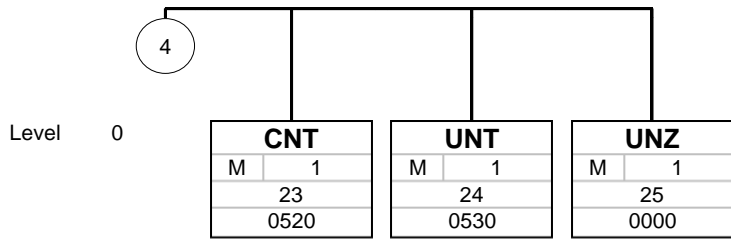
3 Branching Diagram











4 Segment description

Counte	No	Name	St	MaxOcc	Ebene	Level
--------	----	------	----	--------	-------	-------

0000	1	UNA (1)	C	1	0	SERVICE STRING ADVICE
------	---	----------------	---	---	---	-----------------------

Standard			Implementation	
Bez	Name	St Format	St Format	Anwendung / Bemerkung
UNA				
UNA1	Component data element separator	M an1	M an1	
UNA2	Data element separator	M an1	M an1	
UNA3	Decimal notation	M an1	M an1	
UNA4	Release indicator	M an1	M an1	
UNA5	Reserved for future use	M an1	M an1	
UNA6	Segment terminator	M an1	M an1	

Example:

UNA:+.?'



Counte	No	Name	St	MaxOcc	Ebene	Level
--------	----	------	----	--------	-------	-------

0000	2	UNB (1)	M	1	0	INTERCHANGE HEADER
------	---	------------------	---	---	---	--------------------

Standard			Implementation	
Bez	Name	St Format	St Format	Anwendung / Bemerkung
UNB				
S001	SYNTAX IDENTIFIER	M	M	
0001	Syntax identifier	M a4	M a4	UNOA UN/ECE level A
0002	Syntax version number	M n1	M n1	
S002	INTERCHANGE SENDER	M	M	
0004	Sender identification	M an..35	M an..35	Sender Identification (carrier); SMDG Code recommended
0007	Partner identification code qualifier	C an..4	N	Not used
0008	Address for reverse routing	C an..14	N	Not used
S003	INTERCHANGE RECIPIENT	M	M	
0010	Recipient identification	M an..35	M an..35	Recipient identification (terminal); SMDG Code recommended; Currently used codes are accepted, too. BLG BLG AutoTerminal Bremerhaven CTB HHLA Containerterminal Burchardkai, Hamburg CTA HHLA Containerterminal Altenwerder, Hamburg CTT HHLA Containerterminal Terminal, Hamburg NTB North Sea Terminal Bremerhaven EGB Eurogate Containerterminal Bremerhaven EGH Containerterminal Burchardkai, Hamburg EGW Eurogate Containerterminal Wilhelmshaven EUROKA Eurogate Containerterminal Hamburg IHH EUROGA Containerterminal Burchardkai, Hamburg TE-CTH EUROGA Eurogate Containerterminal Wilhelmshaven TE-CTW EUROGA Eurogate Containerterminal Bremerhaven TE-CTB DEBRVN North Sea Terminal Bremerhaven TB BLGAGH BLG AutoTerminal Bremerhaven B EUROGT Eurogate Containerterminal Bremerhaven B
0007	Partner identification code qualifier	C an..4	N	Not used
0014	Routing address	C an..14	N	Not used
S004	DATE/TIME OF PREPARATION	M	M	
0017	Date of preparation	M n6	M YYMMDD	
0019	Time of preparation	M n4	M HHMM	
0020	Interchange control reference	M an..14	M an..14	Interchange Reference Number
S005	RECIPIENT'S REFERENCE PASSWORD	C	N	
0022	Recipient's reference/password	M an..14	N	Not used
0025	Recipient's reference/password qualifier	C an2	N	Not used
0026	Application reference	C an..14	N	Not used
0029	Processing priority code	C a1	N	Not used
0031	Acknowledgement request	C n1	N	Not used
0032	Communications agreement ID	C an..35	N	Not used
0035	Test indicator	C n1	C n1	only required in case of a test file 1 Interchange is a test

Example:

UNB+UNOA:2+DKL+CTA+240529:1409+REF12345+++++1'

Counte	No	Name	St	MaxOcc	Ebene	Level
--------	----	------	----	--------	-------	-------

0010 3 **UNH** (1) M 1 0 Message header

Standard			Implementation	
Bez	Name	St Format	St Format	Anwendung / Bemerkung
UNH				
0062	Message reference number	M an..14	M an..14	Message Reference Number
S009	MESSAGE IDENTIFIER	M	M	
0065	Message type identifier	M an..6	M an..6	COREOR Container release order message
0052	Message type version number	M an..3	M an..3	D Draft directory
0054	Message type release number	M an..3	M an..3	95B Version 95B
0051	Controlling agency	M an..2	M an..2	UN UN/ECE/TRADE/WP.4, United Nations Standard Messages (UNSM)
0057	Association assigned code	C an..6	R an..6	ITG10 ITIGG Version 1.0 ITG12 ITIGG Version 1.2 ITG12 recommended
0068	Common access reference	C an..35	N	Not used
S010	STATUS OF THE TRANSFER	C	N	
0070	Sequence message transfer number	M n..2	N	Not used
0073	First/last sequence message transfer indication	C a1	N	Not used

Example:

UNH+MSGRE123+COREOR:D:95B:UN:ITG10'


Counte	No	Name	St	MaxOcc	Ebene	Level
--------	----	------	----	--------	-------	-------

0020 4 **BGM** (1) M 1 0 Beginning of message

Standard			Implementation	
Bez	Name	St Format	St Format	Anwendung / Bemerkung
BGM				
C002	DOCUMENT/MESSAGE NAME	C	C	
1001	Document/message name, coded	C an..3	C an..3	12 Transport Cargo Release Order
1131	Code list qualifier	C an..3	N	Not used
3055	Code list responsible agency, coded	C an..3	N	Not used
1000	Document/message name	C an..35	R an..35	
1004	Document/message number	C an..35	R an..35	Sender's Unique Internal Reference Number
1225	Message function, coded	C an..3	R an..3	1 Cancellation 5 Replace 9 Original
4343	Response type, coded	C an..3	N	Not used

Example:

BGM+12:::TRANSPORT CARGO RELEASE ORDER+000123456+9'

dbh and DAKOSY	German Ports – COREOR 95B	
----------------	---------------------------	--

Counte	No	Name	St	MaxOcc	Ebene	Level
--------	----	------	----	--------	-------	-------

0040 5 **RFF** (1) D 9 1 **Release order reference**

Remark: Has to be sent either on header level for a complete bill of lading or on EQD level for each Container in an FTX+AAI; The reference will only be sent during a migration period and according to mutual agreements. It will be removed in an upcoming release.

Standard			Implementation	
Bez	Name	St Format	St Format	Anwendung / Bemerkung
RFF				
C506	REFERENCE	M	M	
1153	Reference qualifier	M an..3	M an..3	REO Release Order Number
1154	Reference number	C an..35	R an..15	
1156	Line number	C an..6	N	Not used
4000	Reference version number	C an..35	N	Not used

Example:
RFF+REO:XSAD452R'

Counte	No	Name	St	MaxOcc	Ebene	Level
--------	----	------	----	--------	-------	-------

0050		SG1 (1)	M	1	1	TDT-RFF-LOC-DTM
------	--	------------------	---	---	---	-----------------

0060	6	TDT (1)	M	1	1	Details of transport
------	---	------------------	---	---	---	----------------------

Standard			Implementation	
Bez	Name	St Format	St Format	Anwendung / Bemerkung
TDT				
8051	Transport stage qualifier	M an..3	M an..3	20 Main-carriage transport
8028	Conveyance reference number	C an..17	C an..17	Vessel operator's voyage number
C220	MODE OF TRANSPORT	C	R	
8067	Mode of transport, coded	C an..3	R an..3	1 Maritime transport
8066	Mode of transport	C an..17	N	Not used
C228	TRANSPORT MEANS	C	C	
8179	Type of means of transport identification	C an..8	C an..8	1 Barge chemical tanker 2 Coaster chemical tanker 3 Dry bulk carrier 4 Deep sea chemical tanker 5 Gas tanker 9 Exceptional transport 11 Ship 12 Ship tanker 13 Ocean vessel 21 Rail tanker 22 Rail silo tanker 23 Rail bulk car 24 Customer rail tanker 25 Rail express 31 Truck 32 Road tanker 33 Road silo tanker 35 Truck/trailer with tilt
8178	Type of means of transport	C an..17	N	Not used
C040	CARRIER	C	C	
3127	Carrier identification	C an..17	C an..17	
1131	Code list qualifier	C an..3	R an..3	172 Carrier code
3055	Code list responsible agency, coded	C an..3	R an..3	SMD SMDG (Shipplanning Message Development Group)
3128	Carrier name	C an..35	R an..35	
8101	Transit direction, coded	C an..3	N	Not used
C401	EXCESS TRANSPORTATION INFORMATION	C	N	
8457	Excess transportation reason, coded	M an..3	N	Not used
8459	Excess transportation responsibility, coded	M an..3	N	Not used
7130	Customer authorization number	C an..17	N	Not used
C222	TRANSPORT IDENTIFICATION	C	C	
8213	Id. of means of transport identification	C an..9	C an..9	IMO number
1131	Code list qualifier	C an..3	R an..3	146 Means of transport identification
3055	Code list responsible agency, coded	C an..3	R an..3	11 Lloyd's register of shipping
8212	Id. of the means of transport	C an..35	R an..35	Name of Means of Transport (free text)
8453	Nationality of means of transport, coded	C an..3	C an..3	Nationality of the vessel (ISO country code)
8281	Transport ownership, coded	C an..3	N	Not used

Example:

TDT+20+R5826+1++OOL:172:SMD:OOCL+++9745969:146:11:VESSEL NAME:AD'

Counte	No	Name	St	MaxOcc	Ebene	Level
--------	----	------	----	--------	-------	-------

0050		SG1 (1)	M	1	1	TDT-RFF-LOC-DTM
------	--	------------------	---	---	---	-----------------

0070	7	RFF (1)	C	9	2	Reference
------	---	------------------	---	---	---	-----------

Remark: The RFF at this level is used to specify an alternative voyage number (if applicable).

Standard			Implementation	
Bez	Name	St Format	St Format	Anwendung / Bemerkung
RFF				
C506	REFERENCE	M	M	
1153	Reference qualifier	M an..3	M an..3	VON Voyage number
1154	Reference number	C an..35	R an..35	
1156	Line number	C an..6	N	Not used
4000	Reference version number	C an..35	N	Not used

Example:

RFF+VON:VOYAGENUM'

Counte	No	Name	St	MaxOcc	Ebene	Level
--------	----	------	----	--------	-------	-------


0050		SG1 (1)	M	1	1	TDT-RFF-LOC-DTM
------	--	------------------	---	---	---	-----------------

0080	8	LOC (1)	C	9	2	Place/location identification
------	---	------------------	---	---	---	-------------------------------

Standard			Implementation	
Bez	Name	St Format	St Format	Anwendung / Bemerkung
LOC				
3227	Place/location qualifier	M an..3	M an..3	9 Place/port of loading
C517	LOCATION IDENTIFICATION	C	R	
3225	Place/location identification	C an..25	R an..25	UNLOCODE
1131	Code list qualifier	C an..3	R an..3	139 Port
3055	Code list responsible agency, coded	C an..3	R an..3	6 UN/ECE (United Nations - Economic Commission for Europe)
3224	Place/location	C an..17	N	Not used
C519	RELATED LOCATION ONE IDENTIFICATION	C	N	
3223	Related place/location one identification	C an..25	N	Not used
1131	Code list qualifier	C an..3	N	Not used
3055	Code list responsible agency, coded	C an..3	N	Not used
3222	Related place/location one	C an..70	N	Not used
C553	RELATED LOCATION TWO IDENTIFICATION	C	N	
3233	Related place/location two identification	C an..25	N	Not used
1131	Code list qualifier	C an..3	N	Not used
3055	Code list responsible agency, coded	C an..3	N	Not used
3232	Related place/location two	C an..70	N	Not used
5479	Relation, coded	C an..3	N	Not used

Example:

LOC+9+USBOS:139:6'

dbh and DAKOSY	German Ports – COREOR 95B	
----------------	---------------------------	--

Counte	No	Name	St	MaxOcc	Ebene	Level
--------	----	------	----	--------	-------	-------

0050 **SG1** (1) M 1 1 TDT-RFF-LOC-DTM

0090 9 **DTM** (1) C 9 2 Date/time/period

Standard			Implementation	
Bez	Name	St Format	St Format	Anwendung / Bemerkung
DTM				
C507	DATE/TIME/PERIOD	M	M	
2005	Date/time/period qualifier	M an..3	M an..3	132 Arrival date/time, estimated 133 Departure date/time, estimated
2380	Date/time/period	C an..35	R an..35	Specification of date and time of arrival / departure.
2379	Date/time/period format qualifier	C an..3	R an..3	203 CCYYMMDDHHMM

Example:

DTM+132:202405171703:203'

Counte	No	Name	St	MaxOcc	Ebene	Level
--------	----	------	----	--------	-------	-------

0050		SG1 (1)	M	1	1	TDT-RFF-LOC-DTM
------	--	------------------	---	---	---	-----------------

0090	10	DTM (2)	C	1	2	Expiry date
------	----	------------------	---	---	---	-------------

Standard			Implementation	
Bez	Name	St Format	St Format	Anwendung / Bemerkung
DTM				
C507	DATE/TIME/PERIOD	M	M	
2005	Date/time/period qualifier	M an..3	M an..3	400 ulitmate release date/time
2380	Date/time/period	C an..35	C an..35	
2379	Date/time/period format qualifier	C an..3	C an..3	102 CCYYMMDD 203 CCYYMMDDHHMM

Example:

DTM+400:202407131525:102'

Counte	No	Name	St	MaxOcc	Ebene	Level
--------	----	------	----	--------	-------	-------

0100 **SG2** (1) M 9 1 **NAD**

Remark: The NAD segment at this level must always be sent. It identifies parties associated with the equipment release(s) transmitted in the message.

0110 11 **NAD** (1) M 1 1 **Name and address**

Standard			Implementation	
Bez	Name	St Format	St Format	Anwendung / Bemerkung
NAD				
3035	Party qualifier	M an..3	M an..3	MS Document/message issuer/sender CA Carrier
C082	PARTY IDENTIFICATION DETAILS	C	R	
3039	Party id. identification	M an..35	M an..35	
1131	Code list qualifier	C an..3	C an..3	172 Carrier code 160 Party identification
3055	Code list responsible agency, coded	C an..3	C an..3	SMD SMDG (Shipplanning Message Development Group)
C058	NAME AND ADDRESS	C	N	
3124	Name and address line	M an..35	N	Not used
3124	Name and address line	C an..35	N	Not used
3124	Name and address line	C an..35	N	Not used
3124	Name and address line	C an..35	N	Not used
3124	Name and address line	C an..35	N	Not used
C080	PARTY NAME	C	N	
3036	Party name	M an..35	N	Not used
3036	Party name	C an..35	N	Not used
3036	Party name	C an..35	N	Not used
3036	Party name	C an..35	N	Not used
3036	Party name	C an..35	N	Not used
3045	Party name format, coded	C an..3	N	Not used
C059	STREET	C	N	
3042	Street and number/p.o. box	M an..35	N	Not used
3042	Street and number/p.o. box	C an..35	N	Not used
3042	Street and number/p.o. box	C an..35	N	Not used
3164	City name	C an..35	N	Not used
3229	Country sub-entity identification	C an..9	N	Not used
3251	Postcode identification	C an..9	N	Not used
3207	Country, coded	C an..3	N	Not used

Example:
NAD+MS+OOL:172:SMD'

Counte	No	Name	St	MaxOcc	Ebene	Level
--------	----	------	----	--------	-------	-------

0100 **SG2** (2) M 1 1 **Released Party**

Remark: GermanPortsID of company which will receive the right to pick up a container

0110 12 **NAD** (1) M 1 1 **Name and address**

Standard			Implementation	
Bez	Name	St Format	St Format	Anwendung / Bemerkung
NAD				
3035	Party qualifier	M an..3	M an..3	DDS Release Party
C082	PARTY IDENTIFICATION DETAILS	C	R	
3039	Party id. identification	M an..35	M an..35	GermanPortsID
1131	Code list qualifier	C an..3	C an..3	160 Party identification
3055	Code list responsible agency, coded	C an..3	C an..3	ZZZ Mutually defined
C058	NAME AND ADDRESS	C	N	
3124	Name and address line	M an..35	N	Not used
3124	Name and address line	C an..35	N	Not used
3124	Name and address line	C an..35	N	Not used
3124	Name and address line	C an..35	N	Not used
3124	Name and address line	C an..35	N	Not used
C080	PARTY NAME	C	N	
3036	Party name	M an..35	N	Not used
3036	Party name	C an..35	N	Not used
3036	Party name	C an..35	N	Not used
3036	Party name	C an..35	N	Not used
3036	Party name	C an..35	N	Not used
3045	Party name format, coded	C an..3	N	Not used
C059	STREET	C	N	
3042	Street and number/p.o. box	M an..35	N	Not used
3042	Street and number/p.o. box	C an..35	N	Not used
3042	Street and number/p.o. box	C an..35	N	Not used
3164	City name	C an..35	N	Not used
3229	Country sub-entity identification	C an..9	N	Not used
3251	Postcode identification	C an..9	N	Not used
3207	Country, coded	C an..3	N	Not used

Example:

NAD+DDS+DE12456789.DEHAM:160:ZZZ'

Counte	No	Name	St	MaxOcc	Ebene	Level
--------	----	------	----	--------	-------	-------


0320		SG7 (1)	C	999	1	EQD-RFF-FTX-SG8-SG9
------	--	------------------	---	-----	---	---------------------

0330	13	EQD (1)	M	1	1	Equipment details
------	----	------------------	---	---	---	-------------------

Standard			Implementation	
Bez	Name	St Format	St Format	Anwendung / Bemerkung
EQD				
8053	Equipment qualifier	M an..3	M an..3	CN Container
C237	EQUIPMENT IDENTIFICATION	C	R	
8260	Equipment identification number	C an..17	C an..17	
1131	Code list qualifier	C an..3	N	Not used
3055	Code list responsible agency, coded	C an..3	N	Not used
3207	Country, coded	C an..3	N	Not used
C224	EQUIPMENT SIZE AND TYPE	C	C	
8155	Equipment size and type identification	C an..10	C an..10	
1131	Code list qualifier	C an..3	C an..3	102 Size and type
3055	Code list responsible agency, coded	C an..3	C an..3	5 ISO (International Organization for Standardization)
8154	Equipment size and type	C an..35	N	Not used
8077	Equipment supplier, coded	C an..3	C an..3	1 Shipper supplied 2 Carrier supplied
8249	Equipment status, coded	C an..3	C an..3	1 Continental 2 Export 3 Import 6 Transshipment
8169	Full/empty indicator, coded	C an..3	R an..3	5 Full 4 Empty

Example:

EQD+CN+HLBU2981991+22G1:102:5+1+3+5'

dbh and DAKOSY	German Ports – COREOR 95B	
----------------	---------------------------	--

Counte	No	Name	St	MaxOcc	Ebene	Level
--------	----	------	----	--------	-------	-------

0320		SG7 (1)	C	999	1	EQD-RFF-FTX-SG8-SG9
------	--	------------------	---	-----	---	---------------------

0340	14	RFF (1)	M	9	2	Bill of Lading reference
------	----	------------------	---	---	---	--------------------------

Standard			Implementation	
Bez	Name	St Format	St Format	Anwendung / Bemerkung
RFF				
C506	REFERENCE	M	M	
1153	Reference qualifier	M an..3	M an..3	BM Bill of lading number
1154	Reference number	C an..35	R an..35	bill of lading reference
1156	Line number	C an..6	N	Not used
4000	Reference version number	C an..35	N	Not used

Example:

RFF+BM:XYZU4587856'

Counte	No	Name	St	MaxOcc	Ebene	Level
--------	----	------	----	--------	-------	-------

0320		SG7 (1)	C	999	1	EQD-RFF-FTX-SG8-SG9
------	--	------------------	---	-----	---	---------------------

0340	15	RFF (2)	M	9	2	Reference
------	----	------------------	---	---	---	-----------

Remark: To specify references related to the container
 'TF' is used to specify the identification number (IDN) for pick-up authorization.
 Format for IDN : an..10
 Format for account no. : n..7

Standard			Implementation	
Bez	Name	St Format	St Format	Anwendung / Bemerkung
RFF				
C506	REFERENCE	M	M	
1153	Reference qualifier	M an..3	M an..3	TF Transfer number ADE Account number ACD Additional reference number
1154	Reference number	C an..35	R an..35	Booking/Reference number
1156	Line number	C an..6	N	Not used
4000	Reference version number	C an..35	N	Not used

Example:
 RFF+TF:565488H'

Counte	No	Name	St	MaxOcc	Ebene	Level
--------	----	------	----	--------	-------	-------

0320		SG7 (1)	C	999	1	EQD-RFF-FTX-SG8-SG9
------	--	------------------	---	-----	---	---------------------

0410	16	FTX (1)	C	1	2	Free text
------	----	------------------	---	---	---	-----------

Remark: Carriers' Haulage / Merchant's Haulage

Standard			Implementation	
Bez	Name	St Format	St Format	Anwendung / Bemerkung
FTX				
4451	Text subject qualifier	M an..3	M an..3	ABS Additional conditions
4453	Text function, coded	C an..3	N	Not used
C107	TEXT REFERENCE	C	N	
4441	Free text, coded	M an..3	N	Not used
1131	Code list qualifier	C an..3	N	Not used
3055	Code list responsible agency, coded	C an..3	N	Not used
C108 TEXT LITERAL				
4440	Free text	M an..70	M an..70	CH Carrier's Haulage MH Merchant's Haulage
4440	Free text	C an..70	N	Not used
4440	Free text	C an..70	N	Not used
4440	Free text	C an..70	N	Not used
4440	Free text	C an..70	N	Not used
3453	Language, coded	C an..3	N	Not used

Example:

FTX+ABS+++MH'

Counte	No	Name	St	MaxOcc	Ebene	Level
--------	----	------	----	--------	-------	-------

0320		SG7 (1)	C	999	1	EQD-RFF-FTX-SG8-SG9
------	--	------------------	---	-----	---	---------------------

0410	17	FTX (2)	C	1	2	Release Order reference
------	----	------------------	---	---	---	-------------------------

Remark: Release Order reference on container level. Please refer to remarks in RFF+REO

Standard			Implementation	
Bez	Name	St Format	St Format	Anwendung / Bemerkung
FTX				
4451	Text subject qualifier	M an..3	M an..3	AAI General information
4453	Text function, coded	C an..3	N	Not used
C107	TEXT REFERENCE	C	N	
4441	Free text, coded	M an..3	N	Not used
1131	Code list qualifier	C an..3	N	Not used
3055	Code list responsible agency, coded	C an..3	N	Not used
C108	TEXT LITERAL	C	C	
4440	Free text	M an..70	M an..35	
4440	Free text	C an..70	N	Not used
4440	Free text	C an..70	N	Not used
4440	Free text	C an..70	N	Not used
4440	Free text	C an..70	N	Not used
3453	Language, coded	C an..3	N	Not used

Example:

FTX+AAI+++XY123458'

Counte	No	Name	St	MaxOcc	Ebene	Level
0320		SG7 (1)	C	999	1	EQD-RFF-FTX-SG8-SG9
0430		SG8 (1)	C	9	2	TDT-LOC-DTM
0440	18	TDT (1)	M	1	2	Details of transport

Standard			Implementation	
Bez	Name	St Format	St Format	Anwendung / Bemerkung
TDT				
8051	Transport stage qualifier	M an..3	M an..3	30 On-carriage transport
8028	Conveyance reference number	C an..17	N	Not used
C220	MODE OF TRANSPORT	C	R	
8067	Mode of transport, coded	C an..3	R an..3	2 Rail transport 1 Maritime transport 3 Road transport 4 Air transport 8 Inland water transport 9 Mode unknown
8066	Mode of transport	C an..17	N	Not used
C228	TRANSPORT MEANS	C	N	
8179	Type of means of transport identification	C an..8	N	Not used
8178	Type of means of transport	C an..17	N	Not used
C040	CARRIER	C	N	
3127	Carrier identification	C an..17	N	Not used
1131	Code list qualifier	C an..3	N	Not used
3055	Code list responsible agency, coded	C an..3	N	Not used
3128	Carrier name	C an..35	N	Not used
8101	Transit direction, coded	C an..3	N	Not used
C401	EXCESS TRANSPORTATION INFORMATION	C	N	
8457	Excess transportation reason, coded	M an..3	N	Not used
8459	Excess transportation responsibility, coded	M an..3	N	Not used
7130	Customer authorization number	C an..17	N	Not used
C222	TRANSPORT IDENTIFICATION	C	N	
8213	Id. of means of transport identification	C an..9	N	Not used
1131	Code list qualifier	C an..3	N	Not used
3055	Code list responsible agency, coded	C an..3	N	Not used
8212	Id. of the means of transport	C an..35	N	Not used
8453	Nationality of means of transport, coded	C an..3	N	Not used
8281	Transport ownership, coded	C an..3	N	Not used

Example:
TDT+30+++3'

Counte	No	Name	St	MaxOcc	Ebene	Level
	0320	SG7 (1)	C	999	1	EQD-RFF-FTX-SG8-SG9
	0430	SG8 (1)	C	9	2	TDT-LOC-DTM
	0450	LOC (1)	C	1	3	Place/location identification

Standard			Implementation	
Bez	Name	St Format	St Format	Anwendung / Bemerkung
LOC				
3227	Place/location qualifier	M an..3	M an..3	88 Place of receipt
C517	LOCATION IDENTIFICATION	C	R	
3225	Place/location identification	C an..25	R an5	
1131	Code list qualifier	C an..3	R an..3	139 Port
3055	Code list responsible agency, coded	C an..3	R an..3	6 UN/ECE (United Nations - Economic Commission for Europe)
3224	Place/location	C an..17	N	Not used
C519	RELATED LOCATION ONE IDENTIFICATION	C	C	
3223	Related place/location one identification	C an..25	C an..25	
1131	Code list qualifier	C an..3	N	Not used
3055	Code list responsible agency, coded	C an..3	N	Not used
3222	Related place/location one	C an..70	C an..70	
C553	RELATED LOCATION TWO IDENTIFICATION	C	C	
3233	Related place/location two identification	C an..25	C an..25	
1131	Code list qualifier	C an..3	N	Not used
3055	Code list responsible agency, coded	C an..3	N	Not used
3232	Related place/location two	C an..70	C an..70	
5479	Relation, coded	C an..3	C an..3	

Example:
LOC+88+DEHAM:139:6+CTB:::BUKAI+X:::X+X'

Counte	No	Name	St	MaxOcc	Ebene	Level
	0320	SG7 (1)	C	999	1	EQD-RFF-FTX-SG8-SG9
	0430	SG8 (1)	C	9	2	TDT-LOC-DTM
	0450	LOC (2)	C	1	3	Place of Destination

Standard			Implementation	
Bez	Name	St Format	St Format	Anwendung / Bemerkung
LOC				
3227	Place/location qualifier	M an..3	M an..3	8 Place of destination
C517	LOCATION IDENTIFICATION	C	R	
3225	Place/location identification	C an..25	R an5	
1131	Code list qualifier	C an..3	R an..3	139 Port
3055	Code list responsible agency, coded	C an..3	R an..3	6 UN/ECE (United Nations - Economic Commission for Europe)
3224	Place/location	C an..17	N	Not used
C519	RELATED LOCATION ONE IDENTIFICATION	C	N	
3223	Related place/location one identification	C an..25	N	Not used
1131	Code list qualifier	C an..3	N	Not used
3055	Code list responsible agency, coded	C an..3	N	Not used
3222	Related place/location one	C an..70	N	Not used
C553	RELATED LOCATION TWO IDENTIFICATION	C	N	
3233	Related place/location two identification	C an..25	N	Not used
1131	Code list qualifier	C an..3	N	Not used
3055	Code list responsible agency, coded	C an..3	N	Not used
3232	Related place/location two	C an..70	N	Not used
5479	Relation, coded	C an..3	N	Not used

Example:
LOC+8+DENUE:139:6'

Counte	No	Name	St	MaxOcc	Ebene	Level
	0320	SG7 (1)	C	999	1	EQD-RFF-FTX-SG8-SG9
	0430	SG8 (1)	C	9	2	TDT-LOC-DTM
	0460	21 DTM (1)	C	9	3	Date/time/period

Standard			Implementation	
Bez	Name	St Format	St Format	Anwendung / Bemerkung
DTM				
C507	DATE/TIME/PERIOD	M	M	
2005	Date/time/period qualifier	M an..3	M an..3	133 Departure date/time, estimated 132 Arrival date/time, estimated
2380	Date/time/period	C an..35	R an..35	
2379	Date/time/period format qualifier	C an..3	R an..3	101 YYMMDD 203 CCYYMMDDHHMM

Example:


DTM+133:201509171814:203'

Counte	No	Name	St	MaxOcc	Ebene	Level
0320		SG7 (1)	C	999	1	EQD-RFF-FTX-SG8-SG9
0470		SG9 (1)	C	9	2	Rückgabedepot
0480	22	NAD (1)	M	1	2	Return depot

Remark: Please use BIC facility code. If not available, free text may be sent. More information on <https://www.bic-code.org/facility-codes/>

Standard			Implementation	
Bez	Name	St Format	St Format	Anwendung / Bemerkung
NAD				
3035	Party qualifier	M an..3	M an..3	ED Engineer, consultant
C082	PARTY IDENTIFICATION DETAILS	C	C	
3039	Party id. identification	M an..35	M an9	BIC Facility Code
1131	Code list qualifier	C an..3	C an..3	160 Party identification
3055	Code list responsible agency, coded	C an..3	C an..3	20 BIC (Bureau International des Containeurs)
C058	NAME AND ADDRESS	C	C	
3124	Name and address line	M an..35	M an..35	
3124	Name and address line	C an..35	N	Not used
3124	Name and address line	C an..35	N	Not used
3124	Name and address line	C an..35	N	Not used
3124	Name and address line	C an..35	N	Not used
C080	PARTY NAME	C	N	
3036	Party name	M an..35	N	Not used
3036	Party name	C an..35	N	Not used
3036	Party name	C an..35	N	Not used
3036	Party name	C an..35	N	Not used
3036	Party name	C an..35	N	Not used
3045	Party name format, coded	C an..3	N	Not used
C059	STREET	C	C	
3042	Street and number/p.o. box	M an..35	M an..35	
3042	Street and number/p.o. box	C an..35	N	Not used
3042	Street and number/p.o. box	C an..35	N	Not used
3164	City name	C an..35	C an..35	
3229	Country sub-entity identification	C an..9	N	Not used
3251	Postcode identification	C an..9	C an..9	
3207	Country, coded	C an..3	C an..3	

Example:
NAD+ED+DEHAMCRMA:160:20+DEPOT NAME++STREETNAME 2+NUERNBERG++96785+DE'

dbh and DAKOSY	German Ports – COREOR 95B	
----------------	---------------------------	--


Counte	No	Name	St	MaxOcc	Ebene	Level
--------	----	------	----	--------	-------	-------

0520 23 **CNT** (1) M 1 0 Control total

Standard			Implementation	
Bez	Name	St Format	St Format	Anwendung / Bemerkung
CNT				
C270	CONTROL	M	M	
6069	Control qualifier	M an..3	M an..3	16 Total number of equipment
6066	Control value	M n..18	M n..18	
6411	Measure unit qualifier	C an..3	C an..3	

Example:

CNT+16:9:003'

dbh and DAKOSY	German Ports – COREOR 95B	
----------------	---------------------------	--


Counte	No	Name	St	MaxOcc	Ebene	Level
--------	----	------	----	--------	-------	-------

0530 24 **UNT** (1) M 1 0 Message trailer

Standard			Implementation	
Bez	Name	St Format	St Format	Anwendung / Bemerkung
UNT				
0074	Number of segments in a message	M n..6	M n..6	
0062	Message reference number	M an..14	M an..14	

Example:

UNT+22+MSGRE123'

dbh and DAKOSY	German Ports – COREOR 95B	
----------------	---------------------------	--

Counte	No	Name	St	MaxOcc	Ebene	Level
--------	----	------	----	--------	-------	-------

0000 25 **UNZ** (1) M 1 0 INTERCHANGE TRAILER

Standard			Implementation	
Bez	Name	St Format	St Format	Anwendung / Bemerkung
UNZ				
0036	Interchange control count	M n..6	M n..6	
0020	Interchange control reference	M an..14	M an..14	

Example:
UNZ+1+REF12345'